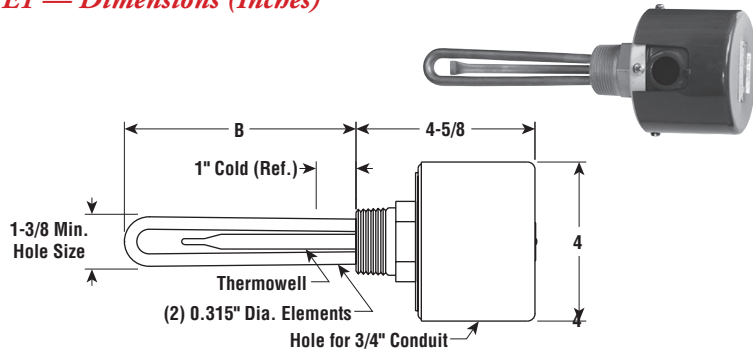


# Immersion

## MTO-1 Light Weight Oil Applications

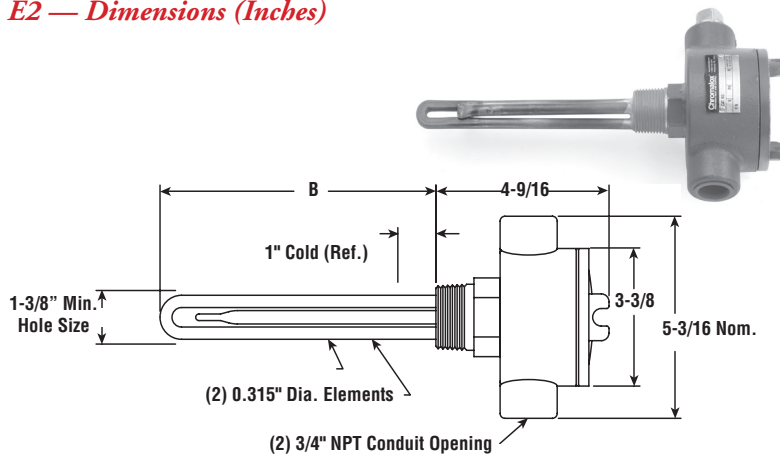
- 1-1/4" NPT Steel Screw Plug
- Steel Sheath Elements
- 10 and 20 W/in<sup>2</sup>
- 0.5 - 3 kW
- Without Thermostat
- 120 and 240 Volt, Single Phase
- General Purpose, Moisture Resistant/Explosion Resistant Terminal Enclosure or Moisture Resistant

*E1 — Dimensions (Inches)*

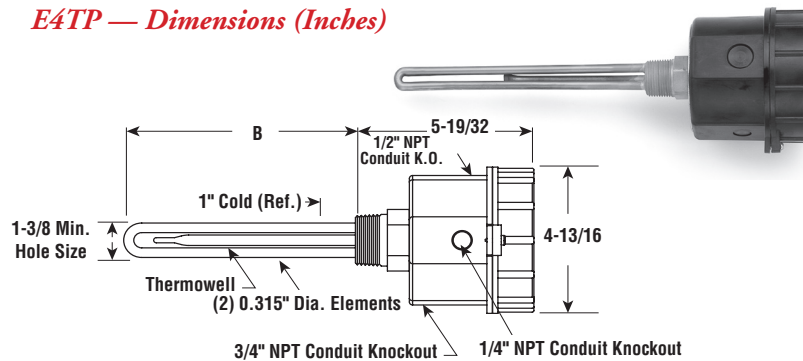


SCREW PLUG

*E2 — Dimensions (Inches)*



*E4TP — Dimensions (Inches)*



### Specifications and Ordering Information

							E1 General Purpose <sup>1</sup>				E2 Moisture Resistant/ Explosion Resistant <sup>2</sup>				E4 Moisture Resistant			
kW	Volts	Phase	W/in <sup>2</sup>	No. Elem.	DIM B (In.)	Model	Stock	PCN	Wt. (Lbs.)	Model	Stock	PCN	Wt. (Lbs.)	Model	Stock	PCN	Wt. (Lbs.)	
0.5	120	1	10	2	12-1/2	MTO-105	NS	326385	2	MTO-105E2	NS	257383	5	MTO-105E4TP	NS	060513	8	
0.5	240	1	10	2	12-1/2	MTO-105	NS	326393	2	MTO-105E2	NS	326406	5	MTO-105E4TP	NS	060521	8	
1	120	1	20	2	12-1/2	<b>MTO-110A</b>	<b>S</b>	<b>139723</b>	2	<b>MTO-110AE2</b>	<b>S</b>	<b>288497</b>	5	<b>MTO-110AE4TP</b>	NS	060530	8	
1	240	1	20	2	12-1/2	<b>MTO-110A</b>	<b>S</b>	<b>139731</b>	2	<b>MTO-110AE2</b>	NS	288500	5	<b>MTO-110AE4TP</b>	NS	060548	8	
2	120	1	20	2	26	MTO-120	NS	038148	3	MTO-120E2	NS	038180	6	MTO-120E4TP	NS	060556	9	
2	240	1	20	2	26	MTO-120	NS	038156	3	MTO-120E2	NS	038199	6	MTO-120E4TP	NS	060564	9	
3	120	1	20	2	38	MTO-130	NS	038164	3	MTO-130E2	NS	038201	6	MTO-130E4TP	NS	060572	9	
3	240	1	20	2	38	MTO-130	NS	038172	3	MTO-130E2	NS	038210	6	MTO-130E4TP	NS	060580	9	

**Stock Status:** S = stock NS = non-stock  
**To Order**—Specify model, volts, phase, kW, PCN and quantity.

1. Heaters with General Purpose Enclosures are UL Recognized and CSA Certified.
2. Heaters with Moisture Resistant/Explosion Resistant Enclosures are <sub>C</sub>CSA<sub>US</sub>® Certified.

**FASTShip**

Same-day shipping on stock item orders received before 4 pm CST.  
 3-day shipping on assembly-stock items.